

# Motorized Screens

---

TECHNICAL SPECIFICATIONS



MeshWorkz<sup>®</sup>

ABOUT MOTORIZED SCREENS

# MeshWorkz Motorized Screens are an elegant remote-operated solution, perfect for outdoor & indoor installation.



Remote Control  
Operated



Thermal / Acoustic  
Insulation



Wind  
Resistant



Fire  
Resistant



Indoor & Outdoor  
Installation

# Key Features

---



## Click-button Operation

With our easy-to-use remote control, you can open and close the screens as you like them.



## Clear Vision & Fresh-Air

Select from a range of fabrics that provide high-visibility plus fresh air.



## Zip Guiding Profile

With a zip guiding profile on both sides, the screen remains tight and never gets loose.



## Sun / Heat Protection

Our fabrics cut down the high temperature on the outside so that you are comfortable inside.



## Sound Insulation

Our zip tech system and fabric help cut down the noise outside.



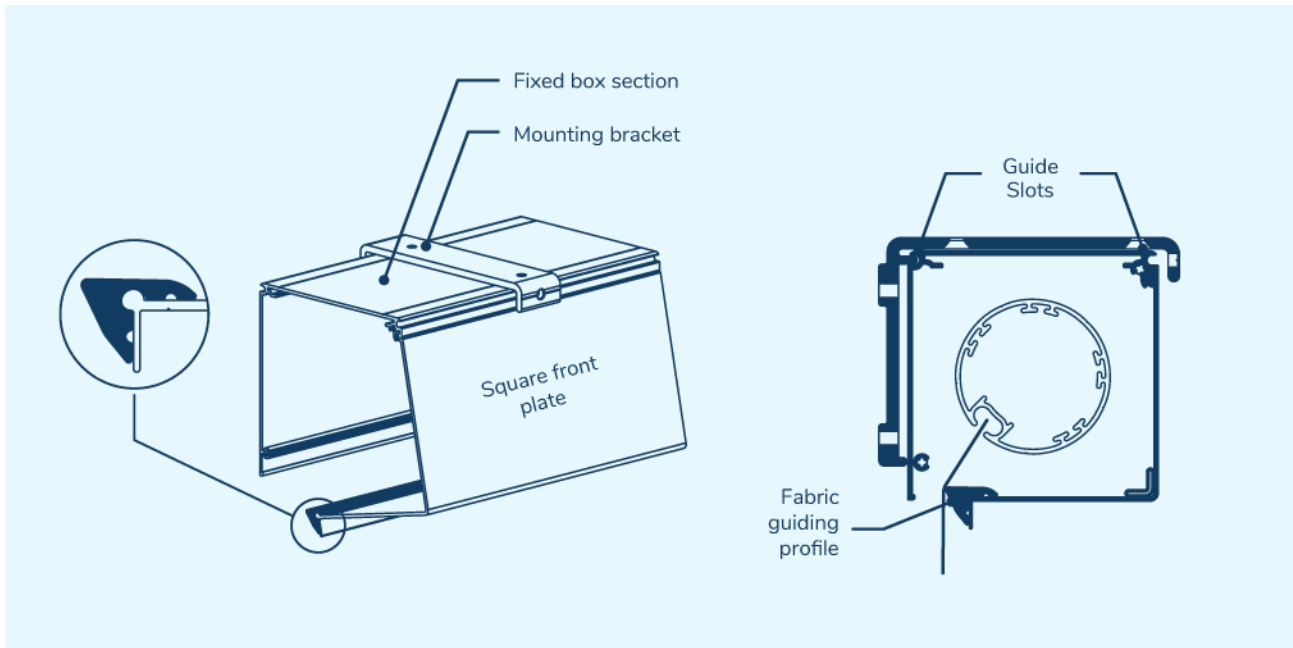
# Box Type

**Material:** Extruded aluminium with powder coating.

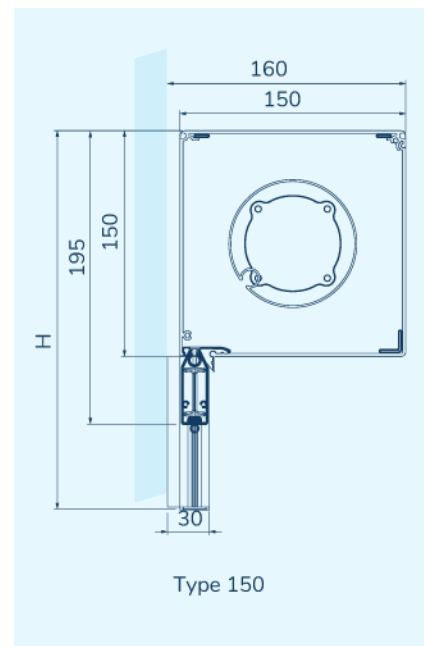
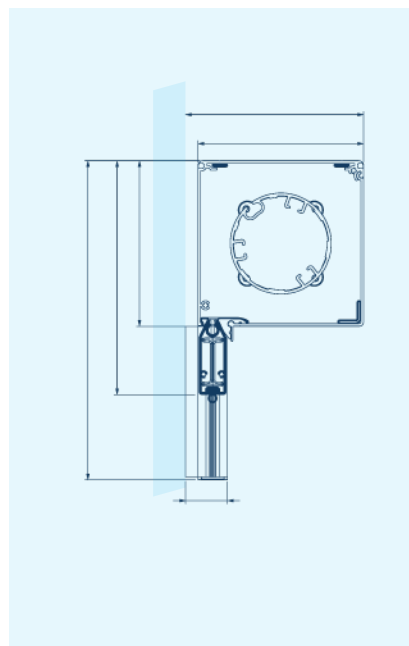
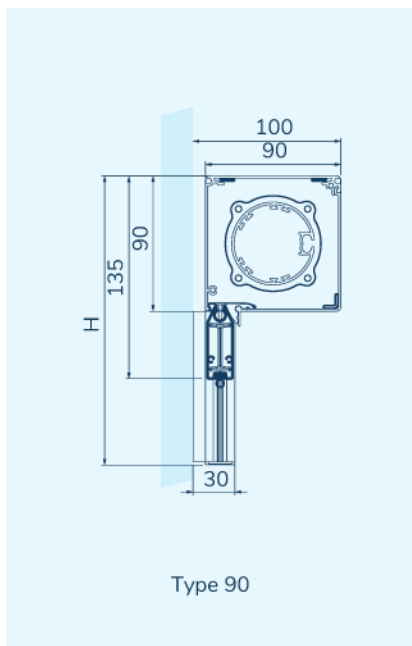
**Available in four sizes:** Type 90, Type 110, and Type 150 (only for pin guide mounting).

## Fabric guiding profile:

- Mounted on the box profile.
- Guide the fabric out of the box.
- Used as a stop of the bottom lath over the whole width of the box profile.
- Must be present to ensure a smooth fabric.

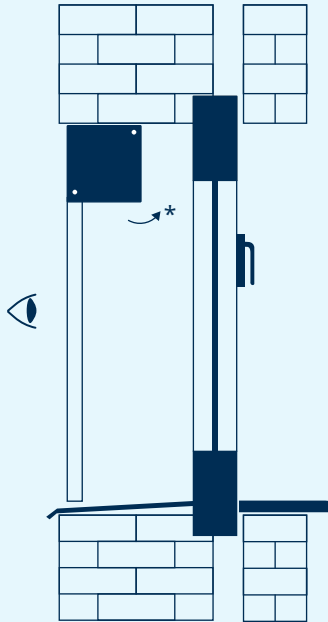


## Pin guide mounting

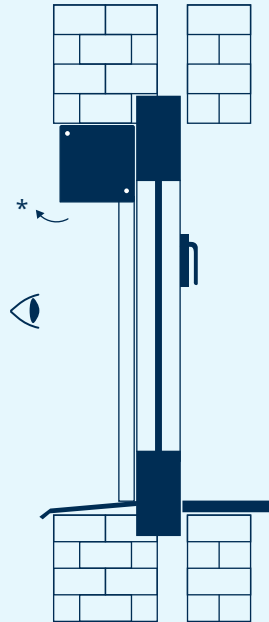


# Mounting Type

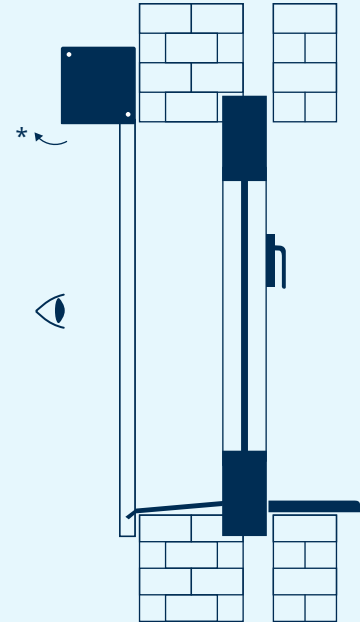
Type 1 (in the reveal)



Type 2 (in the reveal)



Type 5 (on the wall)

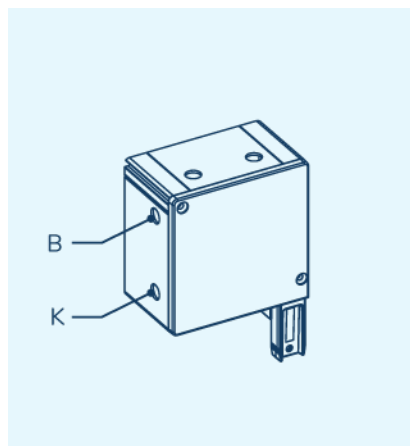
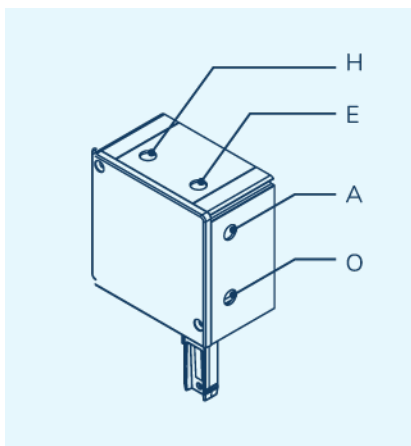
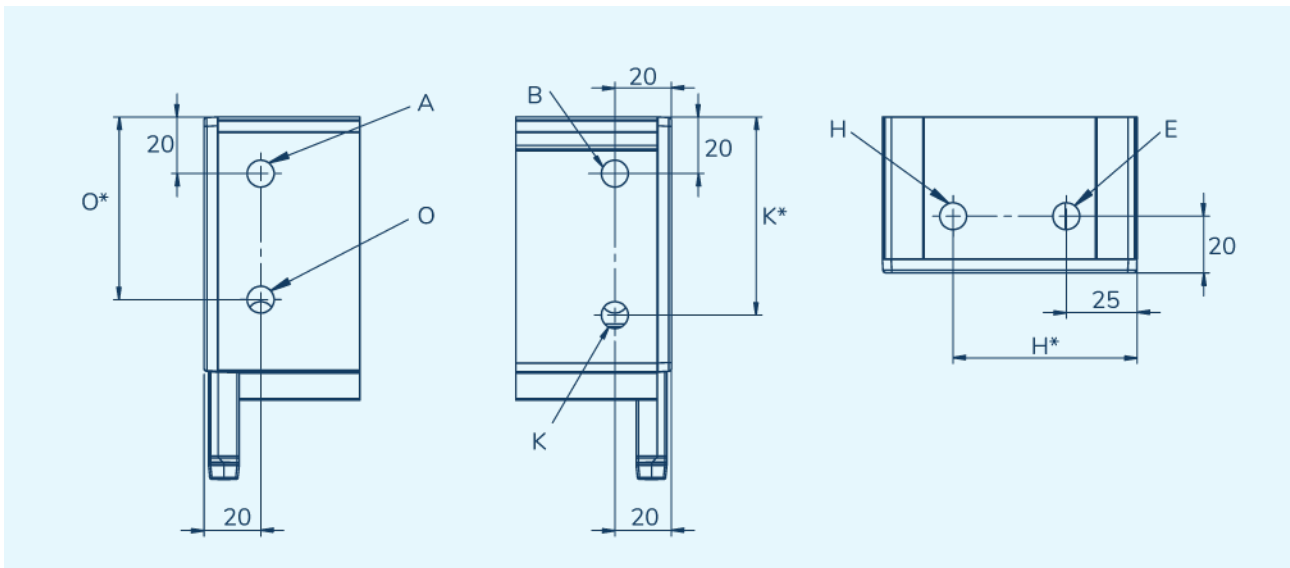


\* space to open the box



# Motor Operating Exit

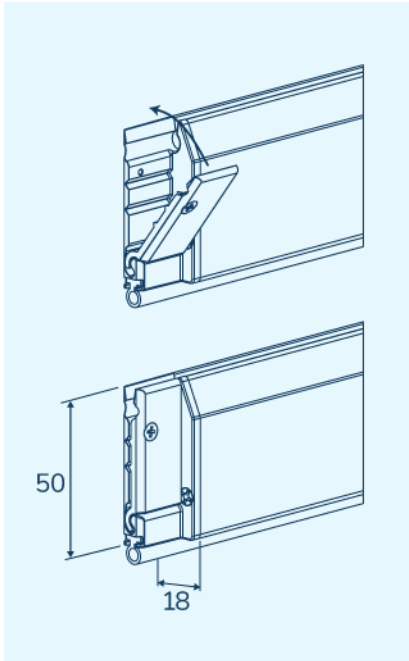
The exact location of the operation exit can be seen on the drawings.



Box	E	H*	K*	O*
90	-	-	70	65
110	25	85	90	85
150	25	125	130	125



## Bottom lath and sliding blocks



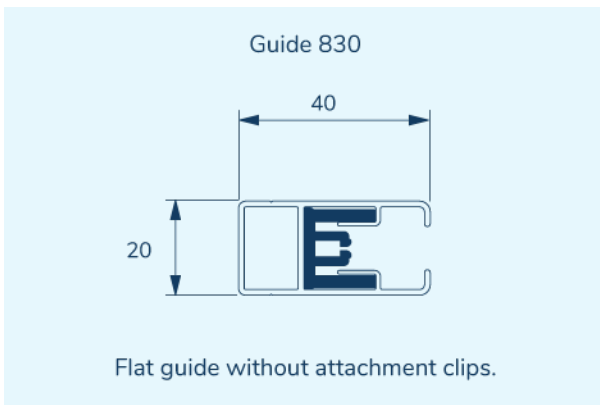
### Bottom lath:

- Material: extruded aluminium profile with:
  - a powder coated finish.
  - a room for a weighting strip.
  - a fabric groove.
  - a groove for sealing rubber
- Fabric is attached to bottom lath without screws, using a plastic tube  $\varnothing$  3 mm.
- Partially concealed in the screen box when fabric is rolled up
- Options: brush instead of rubber strip.

### Sliding blocks:

In 2 parts for a good clamping of the fabric.

## Guides



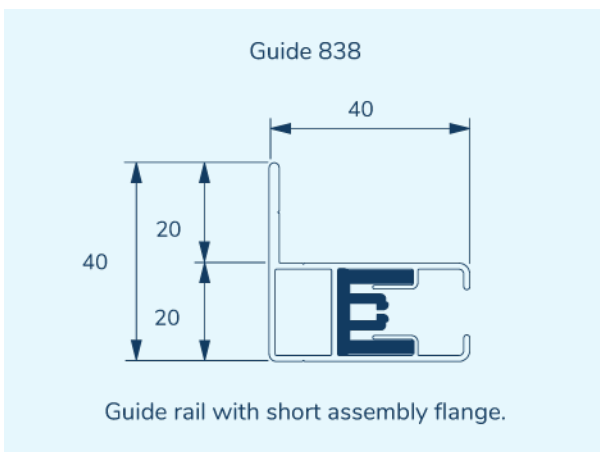
### Material:

Extruded aluminium profiles with a powder coated finish.

### Pin guide mounting:

The screen box is mounted onto the guides. The guides move over the pin of the consoles.

(See figure)



# Fabric

We use TuffScreen®, a tightly woven and strong material fabric. The tighter the weave, the greater the day and night time privacy and protection.

- TuffScreen® provides durable protection from severe weather.
- Gives a little extra privacy.
- Comes with a 10-year warranty.

Characteristic	Reference Test Method	Nominal Results	
		Warp	Fill
Yarn Diameter (Inch)	TMS-TM-001	0.018	0.018
Tensile Strength			
A) Cut Strip Method (Lb)	ASTM D 5035	140	113
B) Grab Method (Lb)	ASTM D 5034	174	148
Tearing Strength			
Trapeziod Method (Lb)	ASTM D 1117	37	31
Yarn Slippage (Lb)	ASTM D 4912	31	27
Stiffness (Mg)	ASTM D 3656	264	145
Stretch (%)	TMS-TM-002	1.1	4
Set (%)	TMS-TM-002	0.2	0.8
Mesh Weight (Oz/sq Yd)	ASTM D 3776	7.1	
Fabric Thickness (Inch)	ASTM D 1777	0.027	
Bond Strength (Lb)	CS 248-64(5.5)	42	
Openness (%)	TMS-TM-009	45	
Blocking	FS L-S-125B(4.4.9)	Scale 1	
Colorfastness To 1200hrs			
Color Change According To Aatcc Gray Scale	TMS-TM-003	All Colors 4 Min	
Mullen Bursting Strength(Psi)			
Initial	FS L-S-125B(4.4.7)	308	

TuffScreen® is a brand of Phifer, and made in USA.  
 Product certified for low chemical emissions





# ZIP Technology

Unique to this innovative system is the concealed, stainless steel spring in the guide rails. The spring does not wear, so the fabrics retain their tautness for many years. The system is extremely wind-resistant, up to 140 km/h.

## Dimensions

SC800 H \ B	500	2500	2600	2700	2800	2900	3000	3100	3200	3300	3400	3500	3600	3700	3800	3900	4000	4100	4200	4300	4400	4500	
400																							
1000																							
1500																							
1600																							
1700																							
2000																							
2100																							
2300																							
2400																							
2500																							
2600																							
2700																							
2800																							
2900																							
3000																							
3100																							
3200																							
3300																							
3400																							
3500																							
3600																							
3700																							
3800																							
3900																							
4000																							
4100																							
4200																							
4300																							
4400																							
4500																							
4600																							
4700																							
4800																							
4900																							
5000																							
5100																							
5200																							
5300																							
5400																							
5500																							
5600																							
5700																							
5800																							
5900																							
6000																							

### Roll-up tables SC800

- 1 Box 90
- 2 Box 110
- 3 Box 150
- X Not possible

### Fabric

TuffScreen®

### Operation

Motor Altus 50

### Axle

67 - 85 - 95

### Box

90 - 110 - 150

























MeshWorkz<sup>®</sup>

---

[MeshWorkz.com](http://MeshWorkz.com) / [MeshWorkz.ae](http://MeshWorkz.ae)

---

**INDIA:** Kelegent Metaplast India Pvt. Ltd., Industrial Shed #7, Survey #24/2,  
Jadhavrao Industrial Estate, Nanded City, Sinhagad Road, Pune - 411041.  
[info@meshworkz.com](mailto:info@meshworkz.com) | +91 78880 27448

**UAE:** Global Window Metal Mesh Factory LLC, Street #22,  
Shed #5, Industrial Area 15, Near Al Marai Depo, Maliha Road, Sharjah, UAE.  
[sales@meshworkz.ae](mailto:sales@meshworkz.ae) | +971 6533 4459